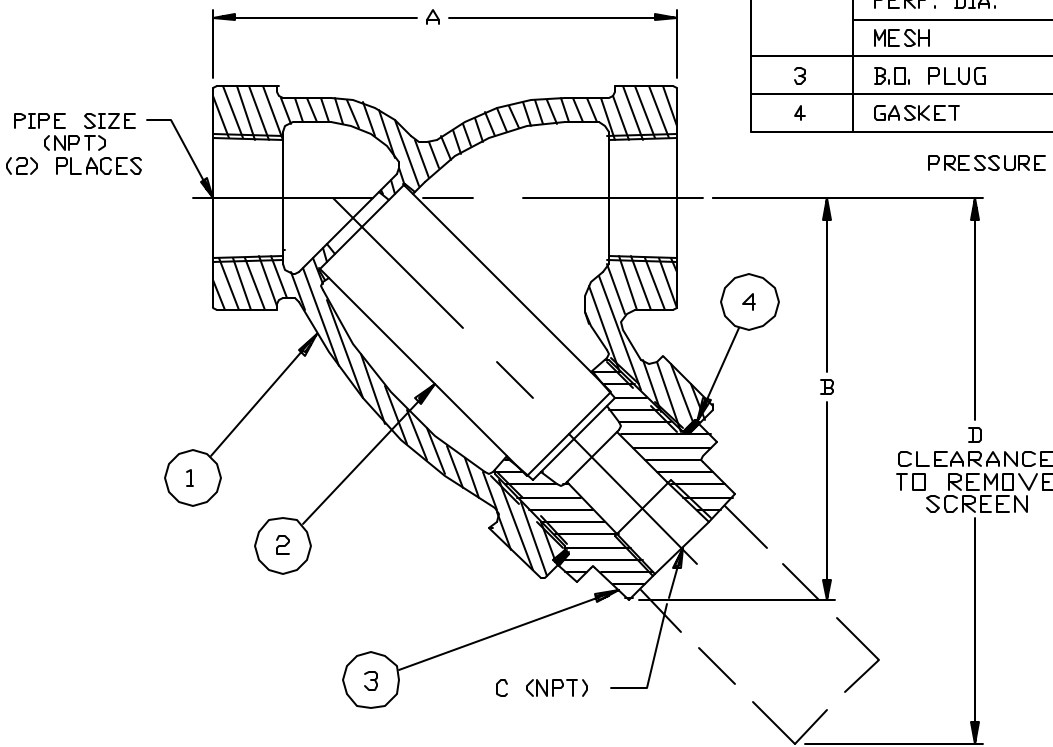


NO.	PART NAME	MATERIAL
1	BODY	SSTL ASTM A351 GR. CF8M
2	SCREEN	
	PERF. DIA.	
	MESH	
3	B.O. PLUG	SSTL ASTM A351 GR. CF8M
4	GASKET	NON-ASBESTOS



PRESSURE RATING: 1440 PSI @ 100° F
(99 BAR @ 37.8° C)

CERTIFIED FOR:
P.O. NO.:
REG. NO.:
TAG NO.:

QUOTE NO.:

PIPE SIZE (NOMINAL)	DIMENSIONS						WEIGHT (APPROX.) (DRY) LBS. KGS.	HAYWARD PART NO.	
	A		B		C (NOM)				D
	IN.	MM.	IN.	MM.	IN.	MM.	IN.	MM.	
1/4" (8mm)	3.00	76	3.00	76	3/8 (10)	4.00	102	2 / 0.9	SY085002ET20A
3/8" (10mm)	3.00	76	3.00	76	3/8 (10)	4.00	102	2 / 0.9	SY085003ET20A
1/2" (15mm)	3.00	76	3.00	76	3/8 (10)	4.00	102	2 / 0.9	SY085005ET20A
3/4" (20mm)	3.75	95	3.50	89	3/8 (10)	4.75	121	4 / 1.8	SY085007ET20A
1" (25mm)	4.63	118	4.00	102	1/2 (15)	5.75	146	6 / 2.7	SY085010ET20A
1-1/4" (32mm)	5.00	127	4.63	118	3/4 (20)	6.50	165	8 / 3.6	SY085012ET20A
1-1/2" (40mm)	5.63	143	5.25	133	3/4 (20)	7.50	191	10 / 4.5	SY085015ET20A
2" (50mm)	7.00	178	5.75	146	1 (25)	8.75	222	15 / 6.8	SY085020ET20A



HAYWARD INDUSTRIAL PRODUCTS, INC.

900 FAIRMOUNT AVENUE, ELIZABETH, NEW JERSEY 07207

NAME: **MODEL 85 Y-STRAINER**
CLASS 600 NPT THREADED CONNECTIONS
SIZES 1/4" THRU 2" STAINLESS STEEL

UNAUTHORIZED USE, MANUFACTURE OR REPRODUCTION IN WHOLE OR IN PART IS PROHIBITED. DRAWING, DESIGN AND OTHER DISCLOSURES PROPERTY OF HAYWARD INDUSTRIAL PRODUCTS, INC.

DRAWN: FC DATE: 7/7/93 CERT.: FM DATE: 7/7/93

SIZE: A DWG NO: SD085174 REV: C

ELECTRONIC FILE NAME: SD085174.DWG

REF. ECR: 3366 DATE: 1/25/95