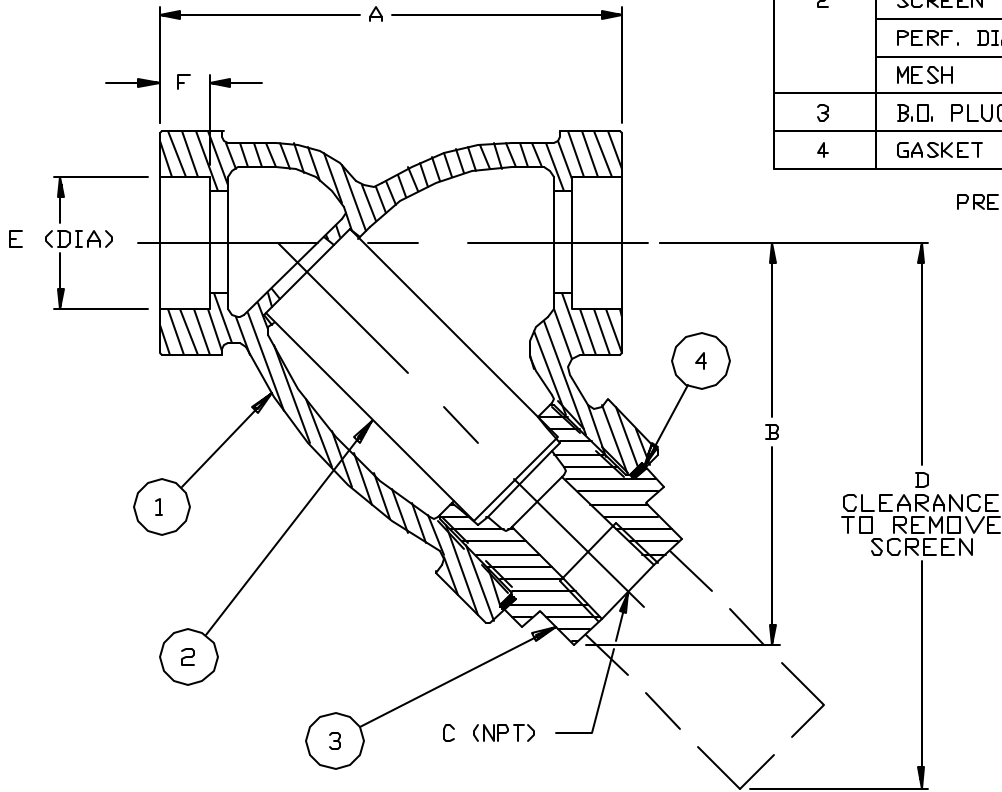


| NO. | PART NAME | MATERIAL |
|-----|------------|------------------------|
| 1 | BODY | CSTL ASTM A216 GR. WCB |
| 2 | SCREEN | |
| | PERF. DIA. | |
| | MESH | |
| 3 | B.O. PLUG | CSTL ASTM A216 GR. WCB |
| 4 | GASKET | NON-ASBESTOS |

PRESSURE RATING: 1480 PSI @ 100° F
(102 BAR @ 37.8° C)



CERTIFIED FOR:
P.O. NO.:
REG. NO.:
TAG NO.:

QUOTE NO.:

| PIPE SIZE (NOMINAL) | DIMENSIONS | | | | | | WEIGHT (APPROX.) (DRY) LBS. KGS. | HAYWARD PART NO. | | | | | | |
|------------------------|------------|-----|------|-----|---------|------|---|---------------------|------|-----|------|-----|----------|---------------|
| | A | | B | | C (NOM) | | | | D | | E | | F | |
| | IN. | MM. | IN. | MM. | IN. | MM. | IN. | MM. | IN. | MM. | IN. | MM. | | |
| 1/4" (8mm) | 3.00 | 76 | 3.00 | 76 | 3/8 | <10> | 4.00 | 102 | 0.56 | 14 | 0.38 | 10 | 2 / 0.9 | SY085002ES30A |
| 3/8" (10mm) | 3.00 | 76 | 3.00 | 76 | 3/8 | <10> | 4.00 | 102 | 0.69 | 18 | 0.38 | 10 | 2 / 0.9 | SY085003ES30A |
| 1/2" (15mm) | 3.00 | 76 | 3.00 | 76 | 3/8 | <10> | 4.00 | 102 | 0.86 | 22 | 0.38 | 10 | 2 / 0.9 | SY085005ES30A |
| 3/4" (20mm) | 3.75 | 95 | 3.50 | 89 | 3/8 | <10> | 4.75 | 121 | 1.07 | 27 | 0.50 | 13 | 4 / 1.8 | SY085007ES30A |
| 1" (25mm) | 4.63 | 118 | 4.00 | 102 | 1/2 | <15> | 5.75 | 146 | 1.33 | 34 | 0.50 | 13 | 6 / 2.7 | SY085010ES30A |
| 1-1/4" (32mm) | 5.00 | 127 | 4.63 | 118 | 3/4 | <20> | 6.50 | 165 | 1.68 | 43 | 0.50 | 13 | 8 / 3.6 | SY085012ES30A |
| 1-1/2" (40mm) | 5.63 | 143 | 5.25 | 133 | 3/4 | <20> | 7.50 | 191 | 1.92 | 49 | 0.50 | 13 | 10 / 4.5 | SY085015ES30A |
| 2" (50mm) | 7.00 | 178 | 5.75 | 146 | 1 | <25> | 8.75 | 222 | 2.41 | 61 | 0.62 | 16 | 15 / 6.8 | SY085020ES30A |



HAYWARD INDUSTRIAL PRODUCTS, INC.

900 FAIRMOUNT AVENUE, ELIZABETH, NEW JERSEY 07207

NAME **MODEL 85 Y-STRAINER**
CLASS 600 SOCKETWELD CONNECTIONS
SIZES 1/4" THRU 2" CARBON STEEL

UNAUTHORIZED USE, MANUFACTURE OR REPRODUCTION IN WHOLE OR IN PART IS PROHIBITED. DRAWING, DESIGN AND OTHER DISCLOSURES PROPERTY OF HAYWARD INDUSTRIAL PRODUCTS, INC.

DRAWN FC DATE 7/6/93 CERT. FM DATE 7/6/93

SIZE A DWG NO SD085171 REV C

ELECTRONIC FILE NAME: SD085171.DWG

REF. ECR 3366 DATE 1/25/95