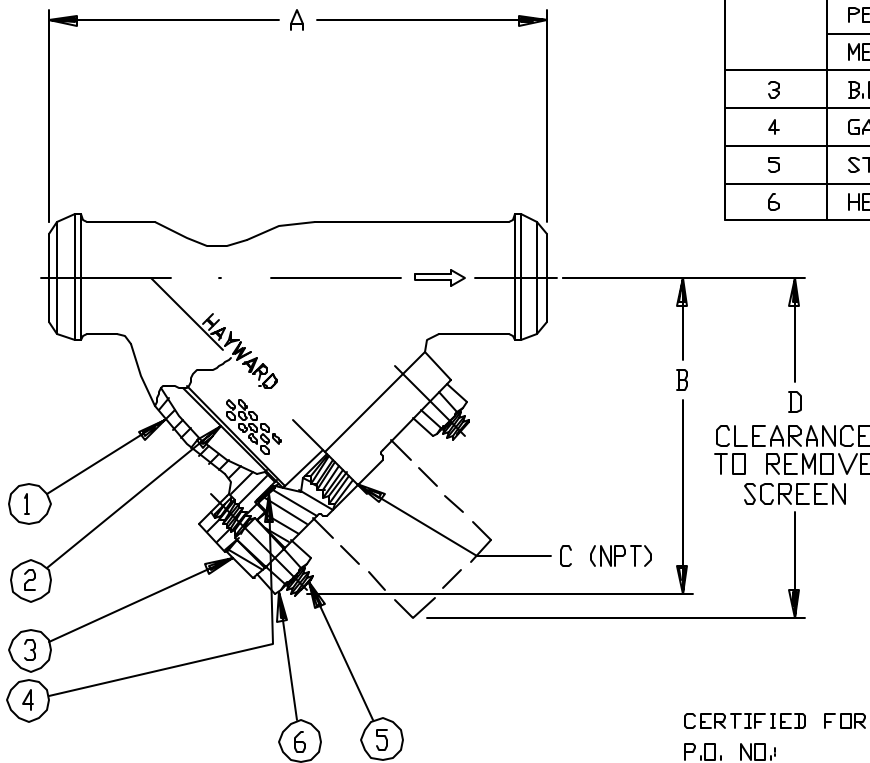


NO.	PART NAME	MATERIAL
1	BODY	CSTL ASTM A216 GR. WCB
2	SCREEN	
	PERF. DIA.	
	MESH	
3	B.O. FLANGE	CSTL ASTM A216 GR. WCB
4	GASKET	NON-ASBESTOS
5	STUD	STEEL ASTM A193 GR. B7
6	HEX NUT	STEEL ASTM A194 GR. 2H



NOTES:

1. INLET/OUTLET BWE CONNECTIONS SCH STD. WGT. BORE.
2. BOLT HOLES STRADDLE CENTERLINE.
3. SIZES 4" TO 10" HAVE FLAT FACE B.O. FLANGE. SMALLER SIZES HAVE RECESSED SEAL AS SHOWN.
4. SIZES 1/2" TO 1-1/4" HAVE 2 BOLT OVAL B.O. FLANGES.
5. SIZES 2" TO 3" HAVE 4 BOLT SQUARE B.O. FLANGES.
6. ALL OTHERS HAVE CIRCULAR B.O. FLANGES.
7. PRESSURE RATING: 740 PSI @ 100° F (51 BAR @ 37.8° C)

CERTIFIED FOR:  
P.O. NO. \_\_\_\_\_  
REG. NO. \_\_\_\_\_  
TAG NO. \_\_\_\_\_

QUOTE NO. \_\_\_\_\_

PIPE SIZE (NOMINAL)	DIMENSIONS								WEIGHT (APPROX.) (DRY) LBS. / KGS.	HAYWARD PART NO.	
	A		B		C (NOM)		D				
	IN.	MM.	IN.	MM.	IN.	MM.	IN.	MM.			
1/2" (15mm)	5.25	133	2.75	70	3/8	(10)	3.50	89	6	2.7	SY085005DB30A
3/4" (20mm)	6.00	152	3.00	76	3/8	(10)	4.00	102	9	4.1	SY085007DB30A
1" (25mm)	6.88	175	3.62	92	1/2	(15)	5.00	127	13	6.0	SY085010DB30A
1-1/4" (32mm)	7.75	197	4.25	108	3/4	(20)	5.75	146	18	8.2	SY085012DB30A
1-1/2" (40mm)	9.38	238	5.75	146	3/4	(20)	6.50	165	24	11.0	SY085015DB30A
2" (50mm)	8.63	219	6.25	159	1	(25)	8.25	210	30	13.6	SY085020DB30A
2-1/2" (65mm)	10.63	270	7.00	178	1	(25)	9.25	235	40	18.2	SY085025DB30A
3" (80mm)	12.00	305	7.75	197	1-1/4	(32)	10.50	267	55	25.0	SY085030DB30A
4" (100mm)	14.50	368	10.50	267	1-1/2	(40)	14.75	375	105	47.7	SY085040DB30A
6" (150mm)	20.00	508	14.75	375	2	(50)	21.00	533	200	91.0	SY085060DB30A
8" (200mm)	23.38	594	18.75	476	2	(50)	27.00	686	360	164.0	SY085080DB30A
10" (250mm)	27.38	695	22.75	578	2	(50)	34.50	876	430	195.5	SY085100DB30A



**HAYWARD INDUSTRIAL PRODUCTS, INC.**

900 FAIRMOUNT AVENUE, ELIZABETH, NEW JERSEY 07207

NAME **MODEL 85 Y-STRAINER**  
**300# BUTTWELD END CONNECTIONS**  
**SIZES 1/2" THRU 10" CARBON STEEL**

UNAUTHORIZED USE, MANUFACTURE OR REPRODUCTION IN WHOLE OR IN PART IS PROHIBITED. DRAWING, DESIGN AND OTHER DISCLOSURES PROPERTY OF HAYWARD INDUSTRIAL PRODUCTS, INC.

DRAWN FM DATE 7/1/93 CERT. FC DATE 7/2/93

SIZE A DWG NO SD085283 REV B

ELECTRONIC FILE NAME: SD085283.DWG

REF. ECR 3366 DATE 1/25/95