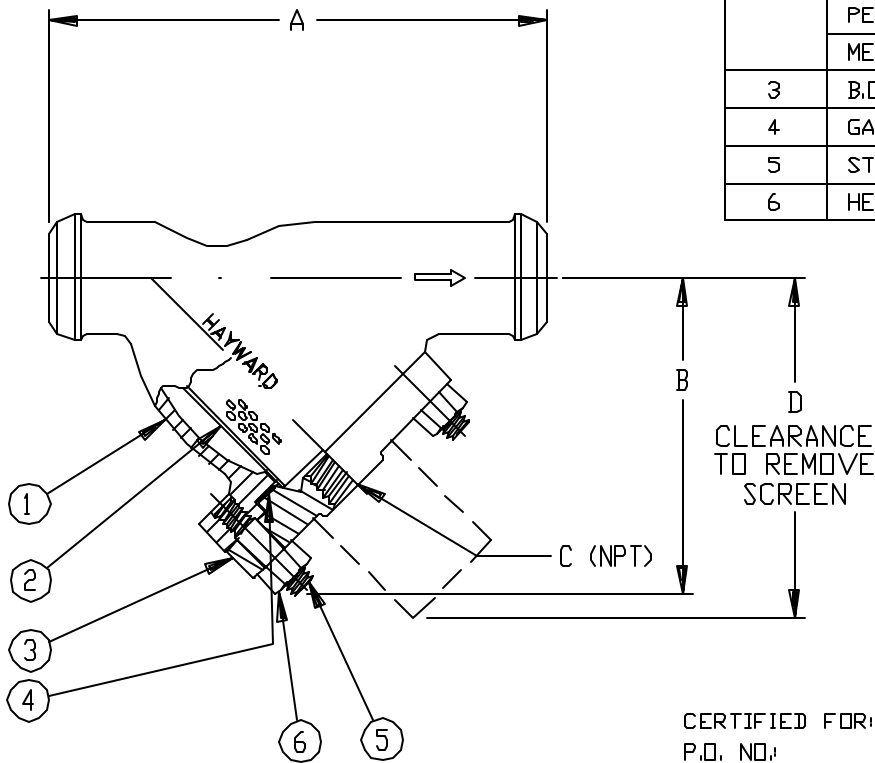


NO.	PART NAME	MATERIAL
1	BODY	CSTL ASTM A216 GR. WCB
2	SCREEN	
	PERF. DIA.	
	MESH	
3	B.O. FLANGE	CSTL ASTM A216 GR. WCB
4	GASKET	NON-ASBESTOS
5	STUD	STEEL ASTM A193 GR. B7
6	HEX NUT	STEEL ASTM A194 GR. 2H



NOTES:

1. INLET/OUTLET BWE CONNECTIONS SCH STD. WGT. BORE.
2. BOLT HOLES STRADDLE CENTERLINE.
3. SIZES 6" TO 10" HAVE FLAT FACE B.O. FLANGE. SMALLER SIZES HAVE RECESSED SEAL AS SHOWN.
4. SIZES 1/2" TO 1-1/4" HAVE 2 BOLT OVAL B.O. FLANGES.
5. SIZES 2" TO 4" HAVE 4 BOLT SQUARE B.O. FLANGES.
6. ALL OTHERS HAVE CIRCULAR B.O. FLANGES.
7. PRESSURE RATING: 285 PSI @ 100° F (19.6 BAR @ 37.8° C)

CERTIFIED FOR:
P.O. NO. _____
REG. NO. _____
TAG NO. _____

QUOTE NO. _____

PIPE SIZE (NOMINAL)	DIMENSIONS								WEIGHT (APPROX.) (DRY) LBS. / KGS.	HAYWARD PART NO.	
	A		B		C (NOM)		D				
	IN.	MM.	IN.	MM.	IN.	MM.	IN.	MM.			
1/2" (15mm)	5.00	127	2.75	70	3/8	(10)	3.50	89	5	2.3	SY085005BB30A
3/4" (20mm)	5.63	143	3.00	76	3/8	(10)	4.00	102	7	3.2	SY085007BB30A
1" (25mm)	6.38	162	3.62	92	1/2	(15)	5.00	127	9	4.1	SY085010BB30A
1-1/4" (32mm)	7.25	184	4.25	108	3/4	(20)	5.75	146	14	6.3	SY085012BB30A
1-1/2" (40mm)	8.88	226	5.75	146	3/4	(20)	6.50	165	18	8.2	SY085015BB30A
2" (50mm)	7.88	200	6.00	152	1	(25)	8.25	210	16	7.3	SY085020BB30A
2-1/2" (65mm)	9.75	248	6.50	165	1	(25)	9.25	235	25	11.4	SY085025BB30A
3" (80mm)	10.00	254	7.25	184	1-1/4	(32)	10.50	267	35	16.0	SY085030BB30A
4" (100mm)	12.13	308	9.75	248	1-1/2	(40)	14.75	375	70	31.8	SY085040BB30A
6" (150mm)	18.50	470	14.25	362	2	(50)	21.00	533	130	59.1	SY085060BB30A
8" (200mm)	21.63	549	18.00	457	2	(50)	26.75	679	240	109.1	SY085080BB30A
10" (250mm)	26.00	660	22.25	565	2	(50)	33.75	857	300	136.4	SY085100BB30A



HAYWARD INDUSTRIAL PRODUCTS, INC.

900 FAIRMOUNT AVENUE, ELIZABETH, NEW JERSEY 07207

NAME **MODEL 85 Y-STRAINER**
150# BUTTWELD END CONNECTIONS
SIZES 1/2" THRU 10" CARBON STEEL

UNAUTHORIZED USE, MANUFACTURE OR REPRODUCTION IN WHOLE OR IN PART IS PROHIBITED. DRAWING, DESIGN AND OTHER DISCLOSURES PROPERTY OF HAYWARD INDUSTRIAL PRODUCTS, INC.

DRAWN FM DATE 7/1/93 CERT. FC DATE 7/2/93

SIZE A DWG NO SD085276 REV A

ELECTRONIC FILE NAME: SD08527B.DWG

REF. ECR 3366 DATE 1/25/95