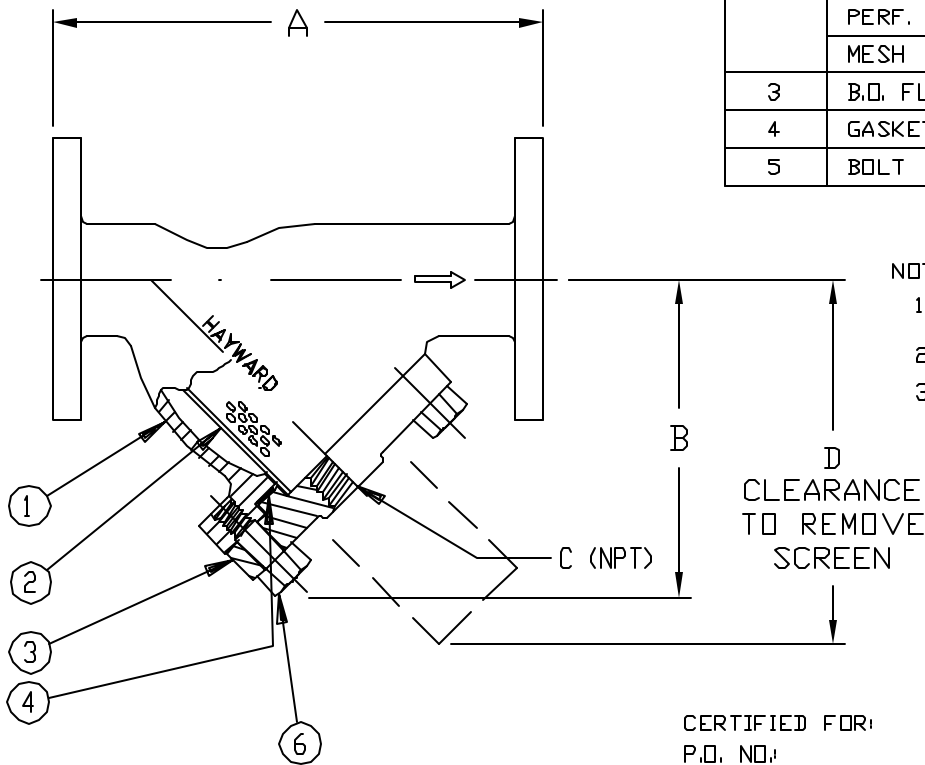


NO.	PART NAME	MATERIAL
1	BODY	BRONZE ASTM B62
2	SCREEN	
	PERF. DIA.	
	MESH	
3	B.O. FLANGE	BRONZE ASTM B62
4	GASKET	NON-ASBESTOS
5	BOLT	STEEL ASTM A307



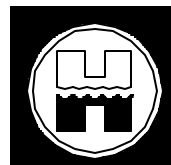
NOTES:

1. INLET/OUTLET FLANGE CONNECTIONS PER ANSI B16.24
2. BOLT HOLES STRADDLE CENTERLINE.
3. PRESSURE RATING: 225 PSI @ 150° F (15.5 BAR @ 65.5° C)

CERTIFIED FOR:
P.O. NO. _____
REG. NO. _____
TAG NO. _____

QUOTE NO. _____

PIPE SIZE (NOMINAL)	DIMENSIONS								WEIGHT (APPROX.) (DRY)		HAYWARD PART NO.
	A		B		C (NOM)		D		LBS.	KGS.	
	IN.	MM.	IN.	MM.	IN.	MM.	IN.	MM.			
2" (50mm)	7.88	200	5.25	133	1/2	(15)	7.00	178	17	7.7	85B020BF
2-1/2" (65mm)	10.00	254	6.50	165	1	(25)	9.75	248	28	12.7	85B025BF
3" (80mm)	10.12	257	7.00	178	1	(25)	10.00	254	34	15.4	85B030BF
4" (100mm)	12.13	308	8.25	209	1-1/2	(40)	12.00	305	56	25.4	85B040BF
5" (125mm)	15.62	397	11.25	286	2	(50)	17.00	432	91	41.3	85B050BF
6" (150mm)	18.50	470	13.50	343	2	(50)	20.00	508	131	59.4	85B060BF



HAYWARD INDUSTRIAL PRODUCTS, INC.

900 FAIRMOUNT AVENUE, ELIZABETH, NEW JERSEY 07207

NAME **MODEL 85 Y-STRAINER
150# FLAT FACE FLANGE
SIZES 2" THRU 6" BRONZE**

UNAUTHORIZED USE, MANUFACTURE OR REPRODUCTION IN WHOLE OR IN PART IS PROHIBITED. DRAWING, DESIGN AND OTHER DISCLOSURES PROPERTY OF HAYWARD INDUSTRIAL PRODUCTS, INC.

DRAWN	FM	DATE	6/26/01	CERT.	LF	DATE	6/26/01
SIZE	DWG	SD085273				REV	B
A	NO						

ELECTRONIC FILE NAME: SD085273.DWG

REF. ECR 9847 DATE 9/21/01